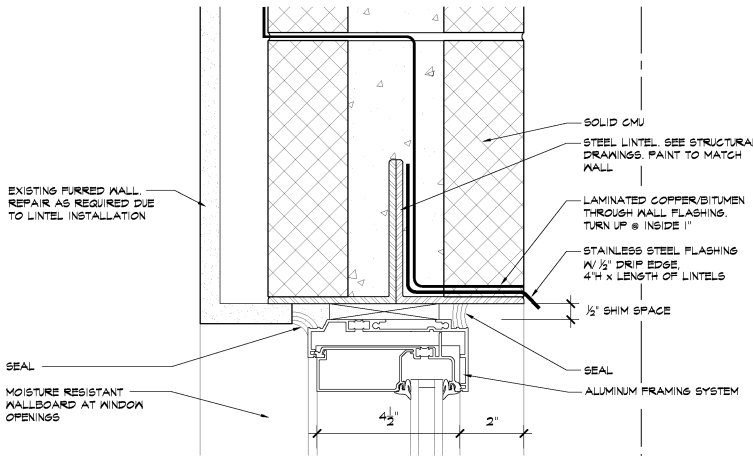
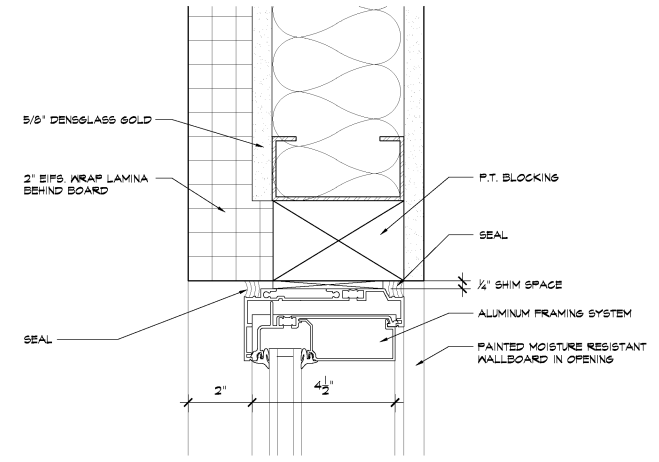


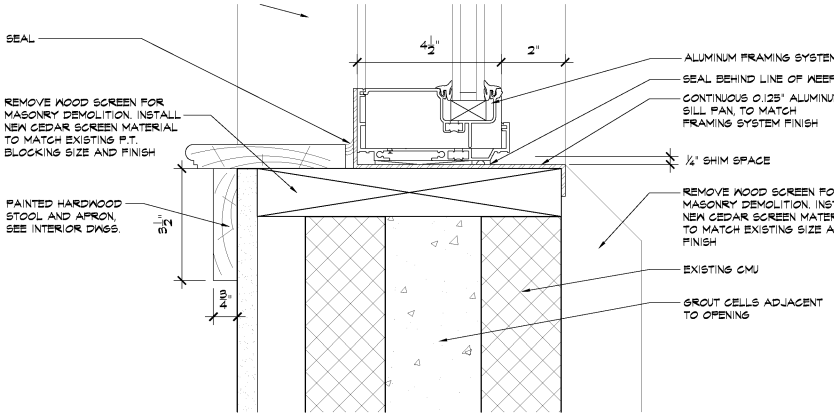
4 HEAD/JAMB/SILL AT INTERIOR WINDOW
 A602 SCALE 6" = 1'-0"



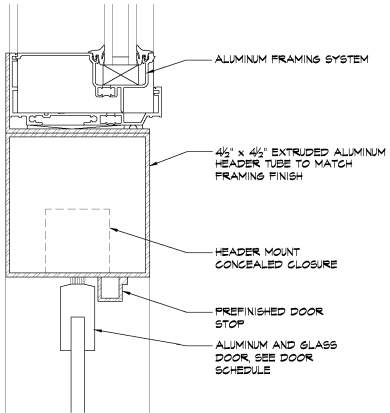
6 HEAD AT MASONRY OPENING
 A602 SCALE 6" = 1'-0"



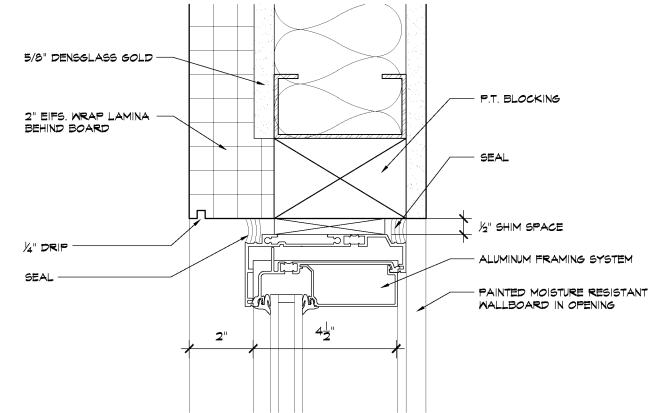
3 JAMB DETAIL
 A602 SCALE 6" = 1'-0"



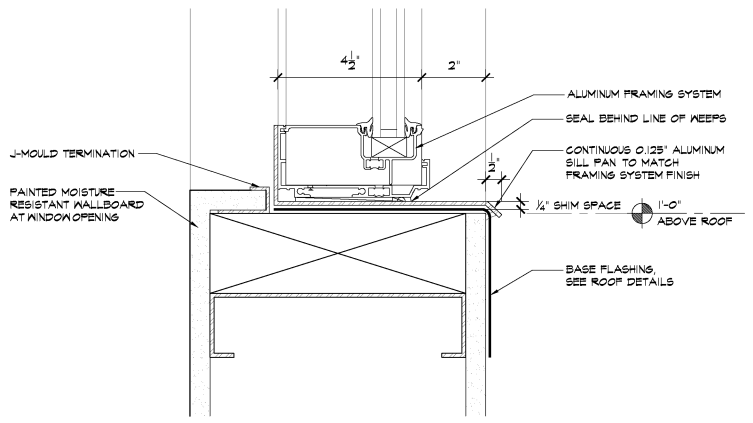
8 SILL AT MASONRY OPENING
 A602 SCALE 6" = 1'-0"



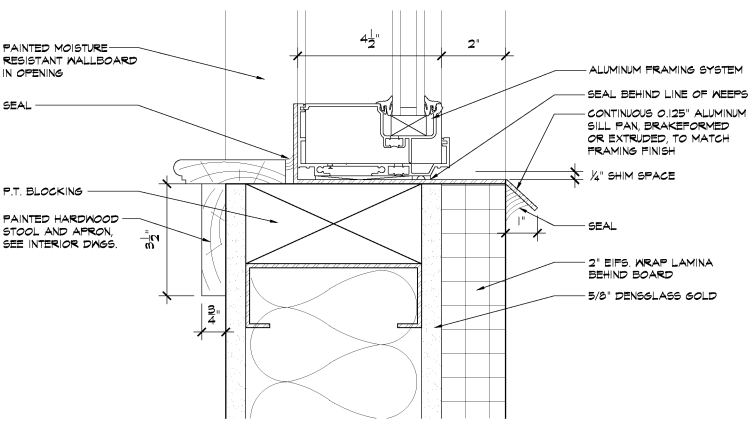
5 SILL AT UPPER WINDOW
 A602 SCALE 6" = 1'-0"



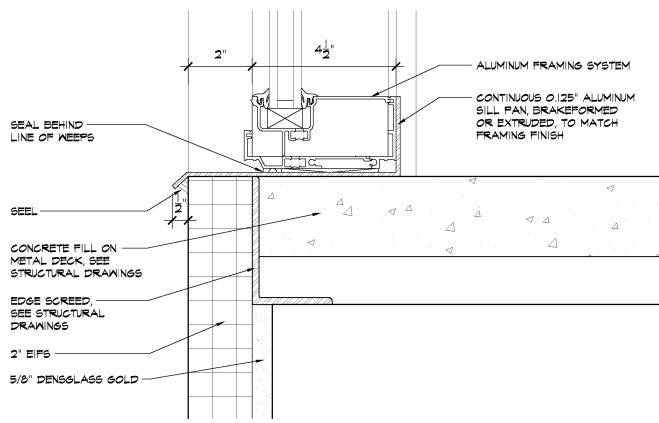
2 HEAD DETAIL
 A602 SCALE 6" = 1'-0"



7 SILL AT CLERESTORY
 A602 SCALE 6" = 1'-0"



4 WINDOW STOOL
 A602 SCALE 6" = 1'-0"



1 SILL DETAIL
 A602 SCALE 6" = 1'-0"

TYPE	WINDOW SIZES (R.O.)	HEAD	JAMB	SILL	GLASS	REMARKS	FRAME	COLOR
A	4'-0" W x 5'-3" H	6	8 SH.	8	1" CLEAR LOW E	W/ APPLIED MANTING AS SHOWN ON INTERIOR ELEVATIONS	840TL	TO BE SELECTED
B	4'-0" W x 5'-3" H	6	8 SH.	8	1" CLEAR LOW E	W/ APPLIED MANTING AS SHOWN ON INTERIOR ELEVATIONS	840TL	TO BE SELECTED
C	4'-0" W x 5'-0" H	2	8	4	1" CLEAR LOW E	W/ APPLIED MANTING AS SHOWN ON INTERIOR ELEVATIONS	840TL	TO BE SELECTED
D	4'-0" W x 5'-3" H	2	8	4	1" CLEAR LOW E	W/ APPLIED MANTING AS SHOWN ON INTERIOR ELEVATIONS	840TL	TO BE SELECTED
E	4'-0" W x 5'-0" H	2	8	4	1" CLEAR LOW E	W/ APPLIED MANTING AS SHOWN ON INTERIOR ELEVATIONS	840TL	TO BE SELECTED
F		2	8	1	1" CLEAR LOW E	TEMPERED AS REQUIRED W/ APPLIED MANTING AS SHOWN ON INTERIOR ELEVATIONS	840TL	TO BE SELECTED
G		4	4	4	1/4" ONE WAY MIRROR	TEMPERED AS REQUIRED W/ APPLIED MANTING AS SHOWN ON INTERIOR ELEVATIONS	840TL	TO BE SELECTED
H		2	8	5	1" CLEAR LOW E	W/ APPLIED MANTING AS SHOWN ON INTERIOR ELEVATIONS	840TL	TO BE SELECTED
J		2	8	7	1" CLEAR LOW E	W/ APPLIED MANTING AS SHOWN ON INTERIOR ELEVATIONS	840TL	TO BE SELECTED
K	5'-0" W x 6'-0" H	8	8	4	1" CLEAR LOW E	TEMPERED AS REQUIRED W/ APPLIED MANTING AS SHOWN ON INTERIOR ELEVATIONS	840TL	TO BE SELECTED

FRAME DESIGNATIONS ARE PRODUCTS OF THE KAWNEER COMPANY.

COPYRIGHT 2009 ES-A ARCHITECTS AND ASSOCIATES
 THESE DRAWINGS ARE INSTRUMENTS OF THE ARCHITECTS SERVICE AND ARE THE PROPERTY OF THE ARCHITECTS. REPRODUCTION OF THESE DRAWINGS OR RULES OF THE WINDOW OR DOOR SCHEDULE HEREIN IN ANY MANNER OR FOR ANY PURPOSE, IS PROHIBITED WITHOUT THE EXPRESS WRITTEN APPROVAL OF THE ARCHITECTS.
 THESE DRAWINGS ARE ONLY INTENDED TO GRAPHICALLY CHECK THE GENERAL NATURE AND SCOPE OF THE ARCHITECTS WORK. FIELD CONDITIONS MUST BE VERIFIED PRIOR TO THE START OF ANY CONSTRUCTION BASED ON THESE DRAWINGS.

REV	DATE	DESCRIPTION
02	AUG 08	GENERAL REVISIONS
10	09 07	PERMIT ISSUE
11	09 07	50% CD ISSUE

THE FIESTA

CASA DE ROSA ROOM ALTERATIONS

NJ ROUTE 17 WOOD RIDGE 07075

OWNER:
 DELCOR REALTY
 288 NJ ROUTE 17 SOUTH
 WOOD RIDGE, NJ 07075

DRAWING TITLE
 WINDOW SCHEDULE AND DETAILS